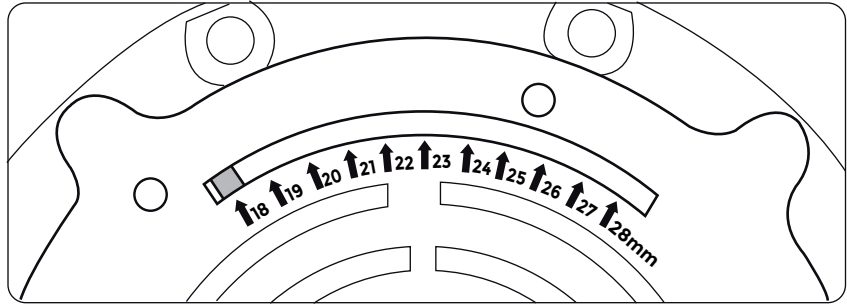
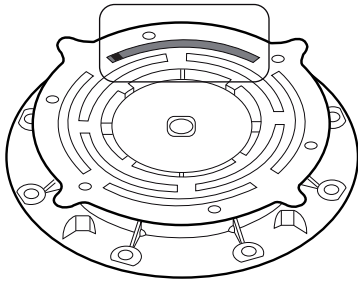
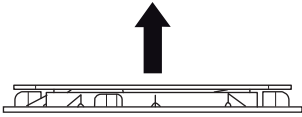


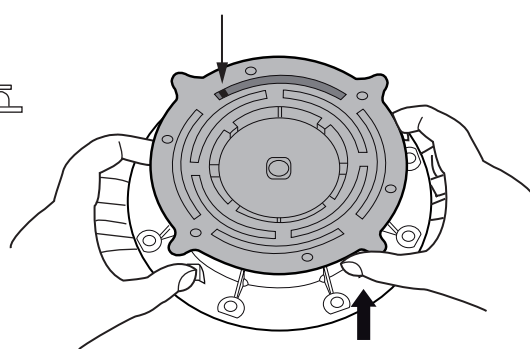
**PB-0-S18 18-28mm**



**1** > 18mm

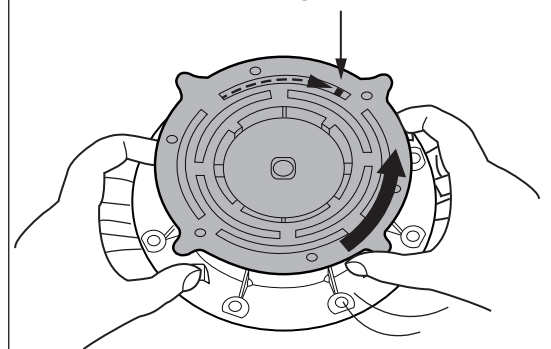


18mm



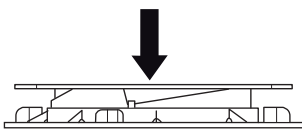
**2**

28mm

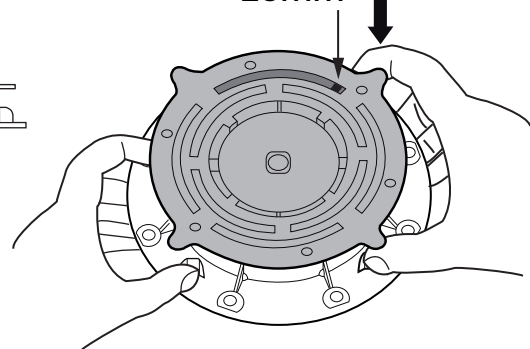


**3**

< 28mm

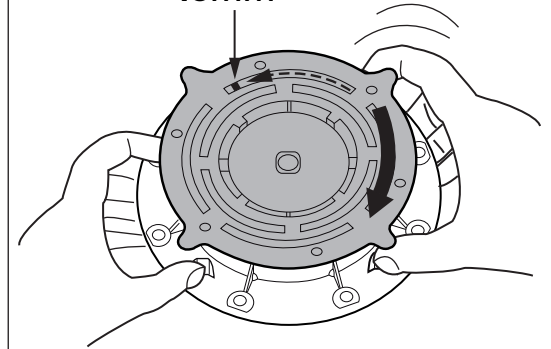


28mm

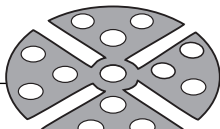


**4**

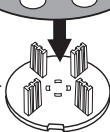
18mm



**U-E20 2mm**



**Tabs 2/3/4.5mm**



**PB-0-S18**

